

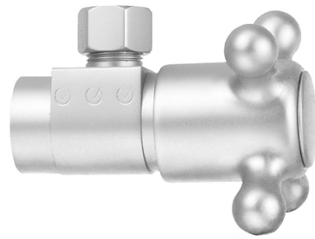
Quarter Turn Ceramic Disc Angle Pattern 1/2" IPS x 3/8" O.D. Supply Valve with Cross Handle

Model #: 314-X-

FEATURES:

- Angle pattern IPS x 3/8" O.D. 1/4 turn ceramic disc cartridge
- 1/2" IPS inlet x 3/8" O.D. outlet
- All brass body

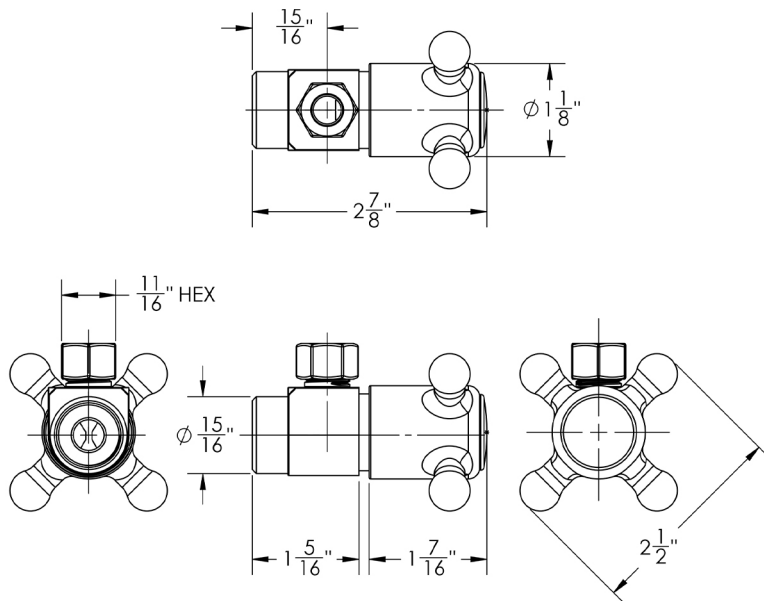
For additional escutcheons see 6007, 6015, 7118 or Sure Grip escutcheons & accessories section



AVAILABLE FINISHES:

Polished Chrome (PCH)	Satin Chrome (SC)	Bronze Umber (BU)
Satin Nickel (SN)	Pewter (PEW)	Caramel Bronze (CB)
Polished Nickel (PN)	Antique Brass (AB)	Antique Copper (ACU)
Oil-Rubbed Bronze (ORB)	Polished Brass (PB)	Polished Copper (PCU)
Vintage Bronze (VB)	Satin Brass (SB)	Matte Black (MBK)
Satin Gold (SG)	Polished Gold (PG)	Black Nickel (BKN)
White (WH)	Unlacquered Brass (ULB)	Satin Cooper (SCU)
Almond (ALD)	Amber (AMB)	Azure Blue (AZB)
Coral (COR)	Mint Green (GRN)	Stone Grey (GRY)
Lilac (LAC)	Light Blue (LBL)	Limon (LIM)
Plum (PLM)	Pink (PNK)	Red (RED)
Graphite (GPH)	Aged Unlacquered Brass (AUB)	

SPECIFICATION DRAWING:



AVAILABLE HANDLES:

