

Multi Turn Angle Pattern 5/8" O.D. Compression (Fits 1/2" Copper) x 3/8" O.D. Faucet Supply Kit with Oval Handle, 20" Supply Tubes, Cover Tubes, Escutcheons
Model #: 5812-62CT-



FEATURES:

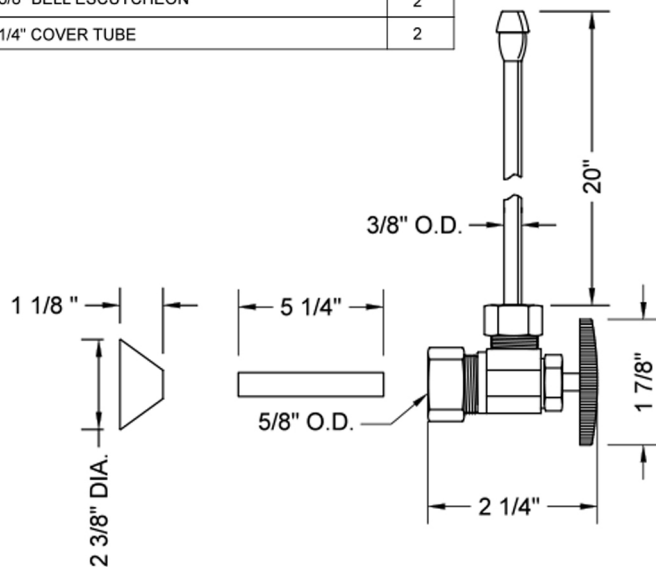
- Complete Faucet Supply Kit
- Kit contains:
 - (2) Multi Turn Angle Pattern 5/8" O.D. Compression (Fits 1/2" Copper) x 3/8" O.D. Compression Supply Valve with Oval Handle P/N 5812
 - (2) 20" Copper Supply Tubes P/N 662
 - (2) Cover Tubes P/N 579
 - (2) Escutcheons P/N 7116
 - Not available in AB, ACU, BKN, BU, CB, GPH, MBK, PCU, PEW, PG, SB, SC, SCU, SG, ULB, AUB, WH, & JACLO=COLOR

AVAILABLE FINISHES:

Polished Chrome (PCH) Satin Nickel (SN) Polished Nickel (PN)
 Oil-Rubbed Bronze (ORB) Polished Brass (PB) Vintage Bronze (VB)

SPECIFICATION DRAWING:

COMPONENTS	
DESCRIPTION	QTY:
ANGLE VALVE - OVAL HANDLE	2
20" X 3/8" O.D. SUPPLY TUBE	2
2 3/8" BELL ESCUTCHEON	2
5 1/4" COVER TUBE	2



AVAILABLE HANDLES:

