

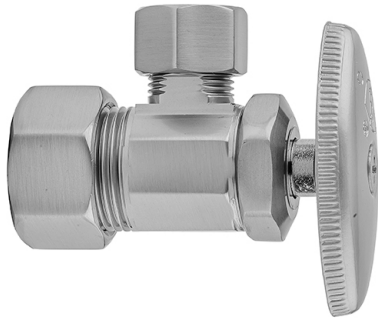
# Multi Turn Angle Pattern 5/8" O.D. Compression (Fits 1/2" Copper) x 3/8" O.D. Supply Valve with Oval Handle



Model #: 5812-

## FEATURES:

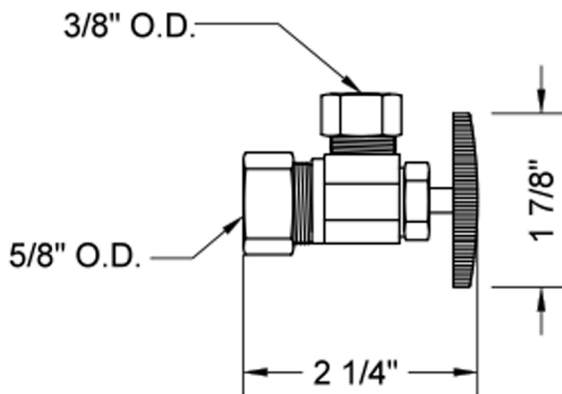
- Angle pattern O.D. compression fit x 3/8" O.D. multi turn style valve
- 5/8" O.D. compression inlet x 3/8" O.D. outlet
- 5/8" O.D. compression fits 1/2" copper tubing
- All brass body and stem
- Not available in AB, ACU, BKN, BU, CB, GPH, MBK, PCU, PEW, PG, SB, SC, SCU, SG, ULB, AUB, WH, & JACLO=COLOR



## AVAILABLE FINISHES:

Polished Chrome (PCH)   Satin Nickel (SN)   Polished Nickel (PN)  
Oil-Rubbed Bronze (ORB)   Polished Brass (PB)   Vintage Bronze (VB)

## SPECIFICATION DRAWING:



## AVAILABLE HANDLES:



## COMPLIANCES:

Complies with: ASME A112.18.1-2012/CSA B125.1-12