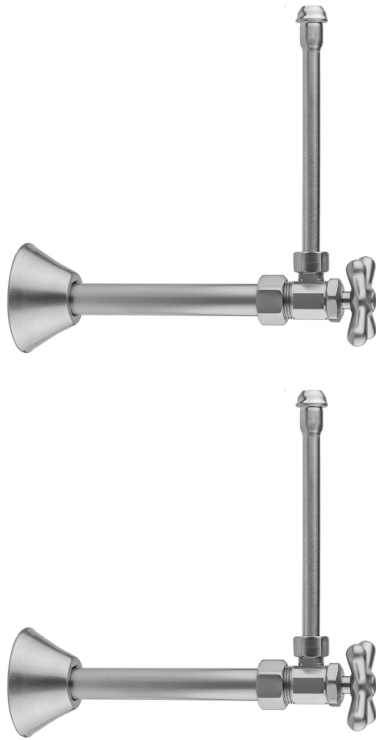


Multi Turn Angle Pattern 5/8" O.D. Compression (Fits 1/2" Copper) x 3/8" O.D. Faucet Supply Kit with Cross Handle, 20" Supply Tubes, Cover Tubes, Escutcheons  
**Model #: 5812X-62CT-**



**FEATURES:**

- Complete Faucet Supply Kit
- Kit contains:
  - (2) Multi Turn Angle Pattern 5/8" O.D. Compression (Fits 1/2" Copper) x 3/8" O.D. Compression Supply Valve with Cross Handle P/N 5812X
  - (2) 20" Copper Supply Tubes P/N 662
  - (2) Cover Tubes P/N 579
  - (2) Escutcheon P/N 7116
  - Not available in AB, ACU, BKN, BU, CB, GPH, MBK, PCU, PEW, PG, SB, SC, SCU, SG, ULB, AUB, WH, & JACLO-COLOR

**AVAILABLE FINISHES:**

Polished Chrome (PCH)    Satin Nickel (SN)    Polished Nickel (PN)  
 Oil-Rubbed Bronze (ORB)    Polished Brass (PB)    Vintage Bronze (VB)

**SPECIFICATION DRAWING:**

COMPONENTS	
DESCRIPTION	QTY:
ANGLE VALVE - STANDARD CROSS HANDLE	2
3/8" O.D. SUPPLY TUBE	2
2 3/8" BELL ESCUTCHEON	2
5 1/4" COVER TUBE	2

**AVAILABLE HANDLES:**

