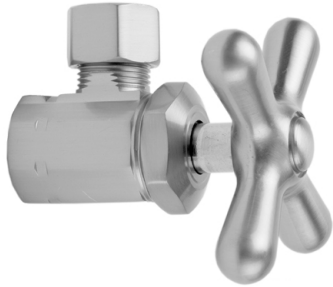


Multi Turn Angle Pattern 1/2" IPS x 3/8" O.D. Supply Valve with Cross Handle

Model #: 586X-

FEATURES:

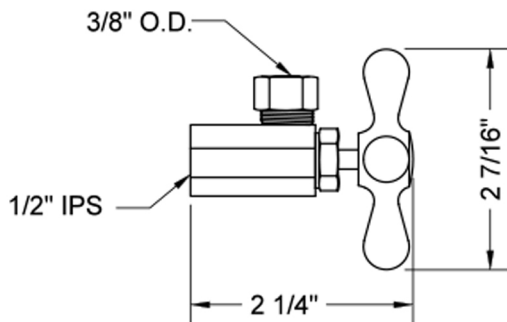
- Angle pattern 1/2" IPS x 3/8" O.D. multi turn compression style valve
- 1/2" IPS inlet x 3/8" O.D. compression outlet
- All brass body and stem
- Not available in AB, ACU, BKN, BU, CB, GPH, MBK, PCU, PEW, PG, SB, SC, SCU, SG, ULB, AUB, WH, & JACLO=COLOR



AVAILABLE FINISHES:

Polished Chrome (PCH) Satin Nickel (SN) Polished Nickel (PN)
Oil-Rubbed Bronze (ORB) Polished Brass (PB) Vintage Bronze (VB)

SPECIFICATION DRAWING:



AVAILABLE HANDLES:



COMPLIANCES:

Complies with: ASME A112.18.1-2012/CSA B125.1-12