

Quarter Turn Angle Pattern 3/8" IPS x 3/8" O.D. Supply Valve with Oval Handle

Model #: 615-8-

FEATURES:

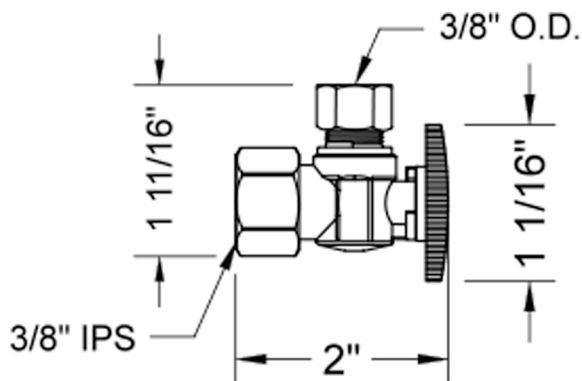
- Angle pattern IPS x 3/8" O.D. quarter turn ball valve
- 3/8" IPS inlet x 3/8" O.D. outlet
- All brass body and stem



AVAILABLE FINISHES:

Polished Chrome (PCH)	Satin Chrome (SC)	Bronze Umber (BU)
Satin Nickel (SN)	Pewter (PEW)	Caramel Bronze (CB)
Polished Nickel (PN)	Antique Brass (AB)	Antique Copper (ACU)
Oil-Rubbed Bronze (ORB)	Polished Brass (PB)	Polished Copper (PCU)
Vintage Bronze (VB)	Satin Brass (SB)	Matte Black (MBK)
Satin Gold (SG)	Polished Gold (PG)	Black Nickel (BKN)
White (WH)	Satin Cooper (SCU)	Almond (ALD)
Amber (AMB)	Azure Blue (AZB)	Coral (COR)
Mint Green (GRN)	Stone Grey (GRY)	Lilac (LAC)
Light Blue (LBL)	Limon (LIM)	Plum (PLM)
Pink (PNK)	Red (RED)	Graphite (GPH)
Aged Unlacquered Brass (AUB)		

SPECIFICATION DRAWING:



AVAILABLE HANDLES:



COMPLIANCES:

Complies with: ASME A112.18.1-2012/CSA B125.1-12