

# Quarter Turn Straight Pattern 5/8" O.D. Compression (Fits 1/2" Copper) x 3/8" O.D. Supply Valve with Square Handle

Model #: 622-7-

## FEATURES:

- Straight pattern O.D. compression fit x O.D. compression fit quarter turn ball valve
- 5/8" O.D. compression inlet x 3/8" or 1/2" O.D. compression outlet
- 5/8" O.D. compression fit 1/2" copper tubing
- White porcelain button available-"H", "C" & plain for standard cross handle only. Specify when ordering
- All brass, fully finished

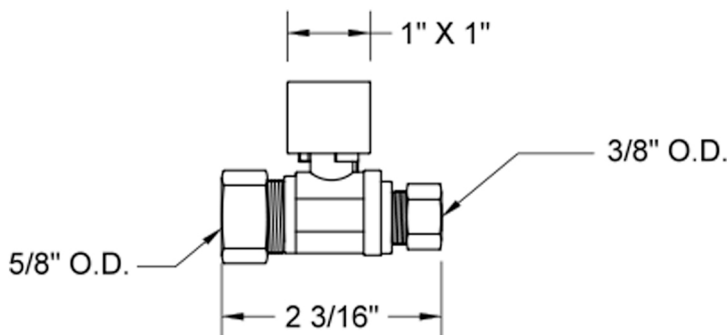
For additional cover tubes & escutcheons see 6007, 6015 or Sure Grip escutcheons & accessories section



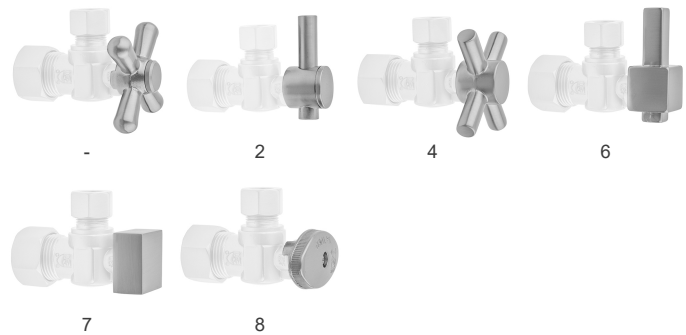
## AVAILABLE FINISHES:

Polished Chrome (PCH)	Satin Chrome (SC)	Bronze Umber (BU)
Satin Nickel (SN)	Pewter (PEW)	Caramel Bronze (CB)
Polished Nickel (PN)	Antique Brass (AB)	Antique Copper (ACU)
Oil-Rubbed Bronze (ORB)	Polished Brass (PB)	Polished Copper (PCU)
Vintage Bronze (VB)	Satin Brass (SB)	Matte Black (MBK)
Satin Gold (SG)	Polished Gold (PG)	Black Nickel (BKN)
White (WH)	Unlacquered Brass (ULB)	Satin Cooper (SCU)
Almond (ALD)	Amber (AMB)	Azure Blue (AZB)
Coral (COR)	Mint Green (GRN)	Stone Grey (GRY)
Lilac (LAC)	Light Blue (LBL)	Limon (LIM)
Plum (PLM)	Pink (PNK)	Red (RED)
Graphite (GPH)	Aged Unlacquered Brass (AUB)	

## SPECIFICATION DRAWING:



## AVAILABLE HANDLES:



## COMPLIANCES:

Complies with: ASME A112.18.1-2012/CSA B125.1-12