

## 32" Grand Grab Bar with Traditional Round Flange

Model #: C15-32-



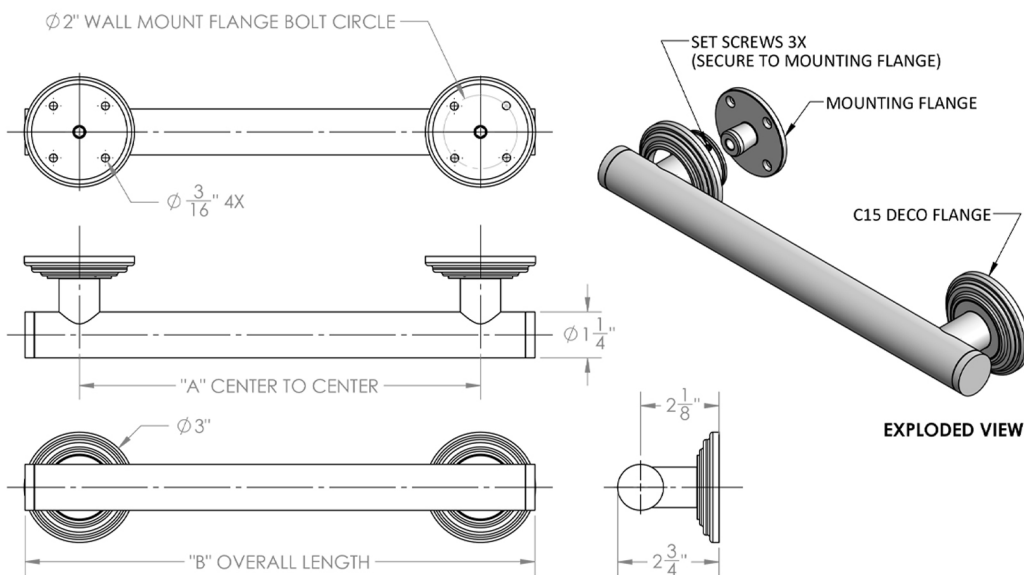
### FEATURES:

- ADA compliant when properly installed
- Complements Roaring 20's, Westfield, Cranford, & Astor collections
- Covers standard 3" flange on existing stainless steel grab bars
- No need to re-tile in retro-fit applications
- 1 1/4" diameter
- For large quantity custom lengths contact [hospitality@jaclo.com](mailto:hospitality@jaclo.com)
- Grab bars 24" or longer are NOT AVAILABLE in PG or SG. For large quantity orders, please contact [hospitality@jaclo.com](mailto:hospitality@jaclo.com)

### AVAILABLE FINISHES:

|                         |                              |                       |
|-------------------------|------------------------------|-----------------------|
| Polished Chrome (PCH)   | Satin Chrome (SC)            | Bronze Umber (BU)     |
| Satin Nickel (SN)       | Pewter (PEW)                 | Caramel Bronze (CB)   |
| Polished Nickel (PN)    | Antique Brass (AB)           | Antique Copper (ACU)  |
| Oil-Rubbed Bronze (ORB) | Polished Brass (PB)          | Polished Copper (PCU) |
| Vintage Bronze (VB)     | Satin Brass (SB)             | Matte Black (MBK)     |
| Satin Gold (SG)         | Polished Gold (PG)           | Black Nickel (BKN)    |
| White (WH)              | Unlacquered Brass (ULB)      | Satin Cooper (SCU)    |
| Almond (ALD)            | Amber (AMB)                  | Azure Blue (AZB)      |
| Coral (COR)             | Mint Green (GRN)             | Stone Grey (GRY)      |
| Lilac (LAC)             | Light Blue (LBL)             | Limon (LIM)           |
| Plum (PLM)              | Pink (PNK)                   | Red (RED)             |
| Graphite (GPH)          | Aged Unlacquered Brass (AUB) |                       |

### SPECIFICATION DRAWING:



| Part # | A   | B       |
|--------|-----|---------|
| C15-12 | 12" | 13 7/8" |
| C15-16 | 16" | 17 7/8" |
| C15-18 | 18" | 19 7/8" |
| C15-24 | 24" | 25 7/8" |
| C15-32 | 32" | 33 7/8" |
| C15-36 | 36" | 37 7/8" |