

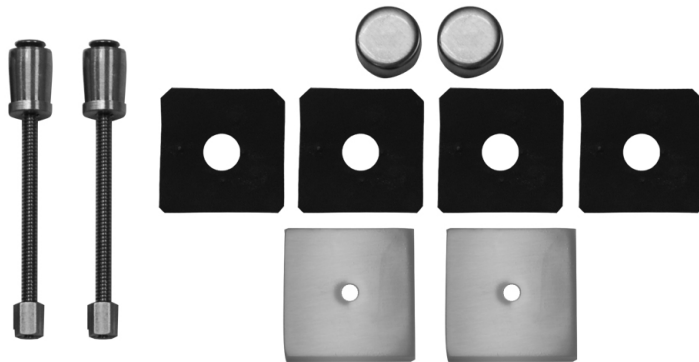
Glass Mounting Kit for H42 CUBIX® Front Mount Shower Door Pulls



Model #: H42-GLSKIT-

FEATURES:

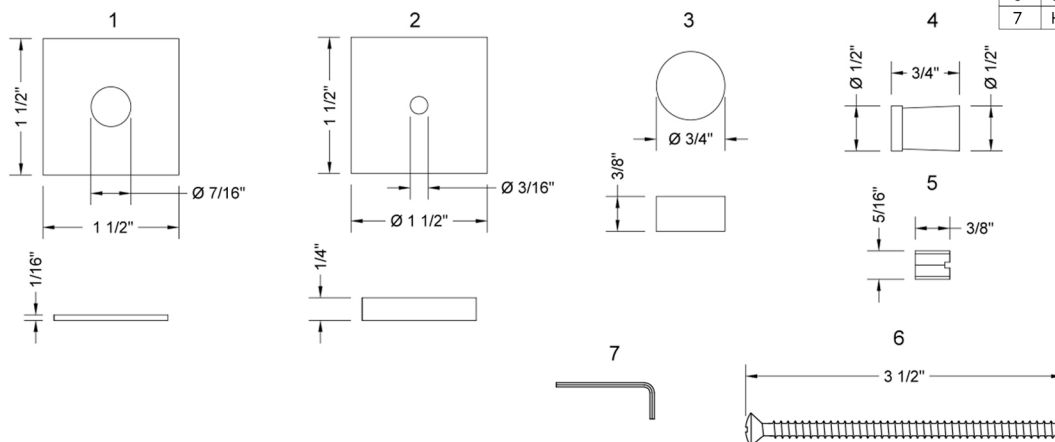
- Can be mounted vertically or horizontally
- Can be used as a towel bar, foot rest, or shaving station when mounted horizontally
- Not to be used as a grab bar
- All brass construction, fully polished & plated
- For Glass Installation: Separate mounting kit required (H42-GLSKIT)
- Custom sizes available- Contact JACLO for pricing & availability
- Not available in BKN, PCU, or PG
- Door pulls 24" or longer are NOT AVAILABLE in SG. For large quantity orders, please contact hospitality@jaclo.com



AVAILABLE FINISHES:

Polished Chrome (PCH)	Satin Chrome (SC)	Bronze Umber (BU)
Satin Nickel (SN)	Pewter (PEW)	Caramel Bronze (CB)
Polished Nickel (PN)	Antique Brass (AB)	Antique Copper (ACU)
Oil-Rubbed Bronze (ORB)	Polished Brass (PB)	Vintage Bronze (VB)
Satin Brass (SB)	Matte Black (MBK)	Satin Gold (SG)
White (WH)	Unlacquered Brass (ULB)	Satin Cooper (SCU)
Almond (ALD)	Amber (AMB)	Azure Blue (AZB)
Coral (COR)	Mint Green (GRN)	Stone Grey (GRY)
Lilac (LAC)	Light Blue (LBL)	Limon (LIM)
Plum (PLM)	Pink (PNK)	Red (RED)
Graphite (GPH)	Aged Unlacquered Brass (AUB)	

SPECIFICATION DRAWING:



COMPONENT PARTS		QTY.
1	30817-1 SQ. Rubber Washer	4
2	CU-435-ESC. Escutcheon	2
3	Glass-B-Caps	2
4	Metal Sleeves	4
5	5/16" X 3/8" Hex Nut	2
6	Screw 30817-4-0	2
7	Hex Wrench	1