

# Glass Mounting Kit for H80 Front Mount Shower Door Pulls

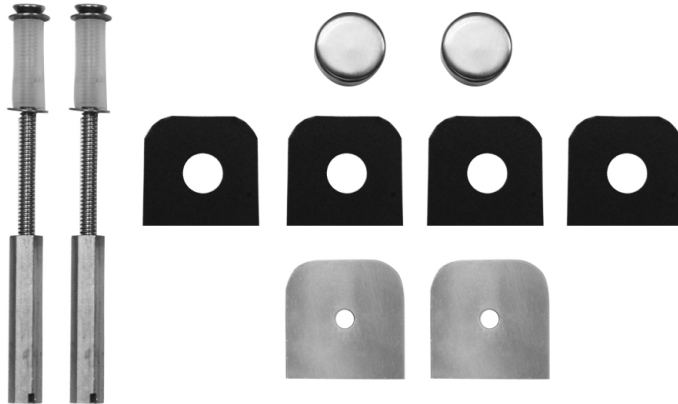


Confidence from start to finish.®

Model #: H80-GLSKIT-

## FEATURES:

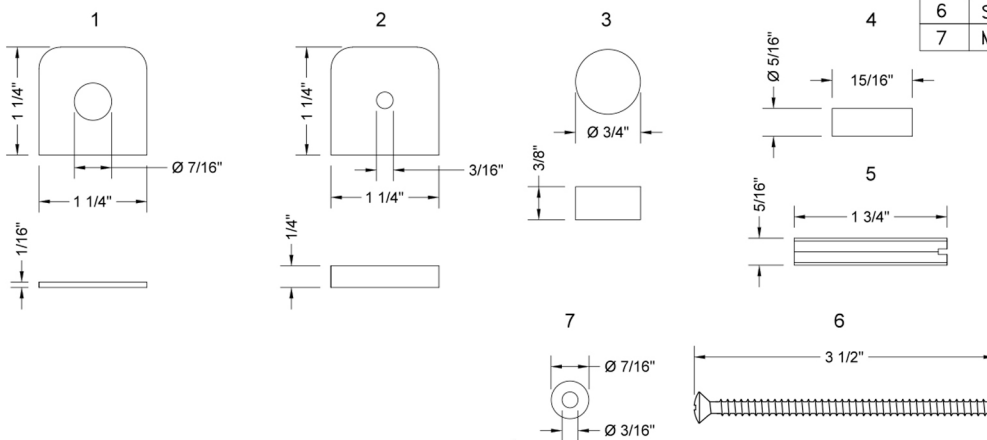
- Can be mounted vertically or horizontally
- Can be used as a towel bar, foot rest, or shaving station when mounted horizontally
- Not to be used as a grab bar
- All brass construction, fully polished & plated
- For Glass Installation: Separate mounting kit required (H80-GLSKIT)
- Custom sizes available- Contact JACLO for pricing & availability
- Door pulls 24" or longer are NOT AVAILABLE in PG or SG. For large quantity orders, please contact [hospitality@jaclo.com](mailto:hospitality@jaclo.com)



## AVAILABLE FINISHES:

Polished Chrome (PCH)	Satin Chrome (SC)	Bronze Umber (BU)
Satin Nickel (SN)	Pewter (PEW)	Caramel Bronze (CB)
Polished Nickel (PN)	Antique Brass (AB)	Antique Copper (ACU)
Oil-Rubbed Bronze (ORB)	Polished Brass (PB)	Polished Copper (PCU)
Vintage Bronze (VB)	Satin Brass (SB)	Matte Black (MBK)
Satin Gold (SG)	Polished Gold (PG)	Black Nickel (BKN)
White (WH)	Unlacquered Brass (ULB)	Satin Cooper (SCU)
Almond (ALD)	Amber (AMB)	Azure Blue (AZB)
Coral (COR)	Mint Green (GRN)	Stone Grey (GRY)
Lilac (LAC)	Light Blue (LBL)	Limon (LIM)
Plum (PLM)	Pink (PNK)	Red (RED)
Graphite (GPH)	Aged Unlacquered Brass (AUB)	

## SPECIFICATION DRAWING:



COMPONENT PARTS		QTY.
1	30817-1 Rubber Washer	4
2	30880-3 Escutcheon	2
3	4844 - Caps	2
4	30817-2 - Plastic Spacers	2
5	5/16" X 1 3/4" Hex Nut	2
6	Screw 30817-30 - 3/16" X 3 1/2"	2
7	Metal Washer	4